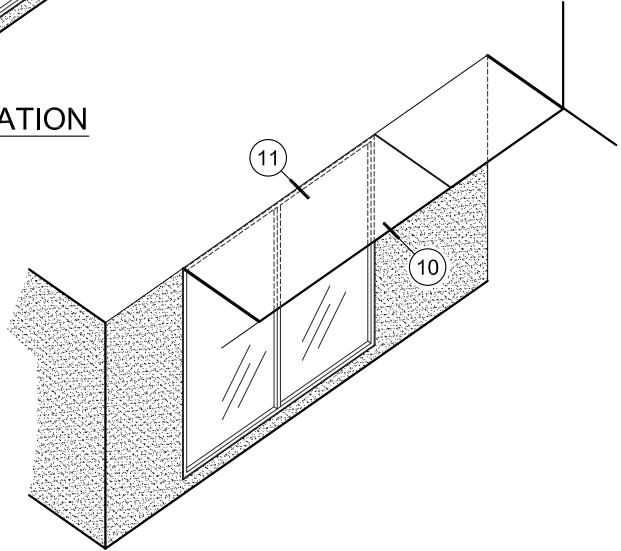


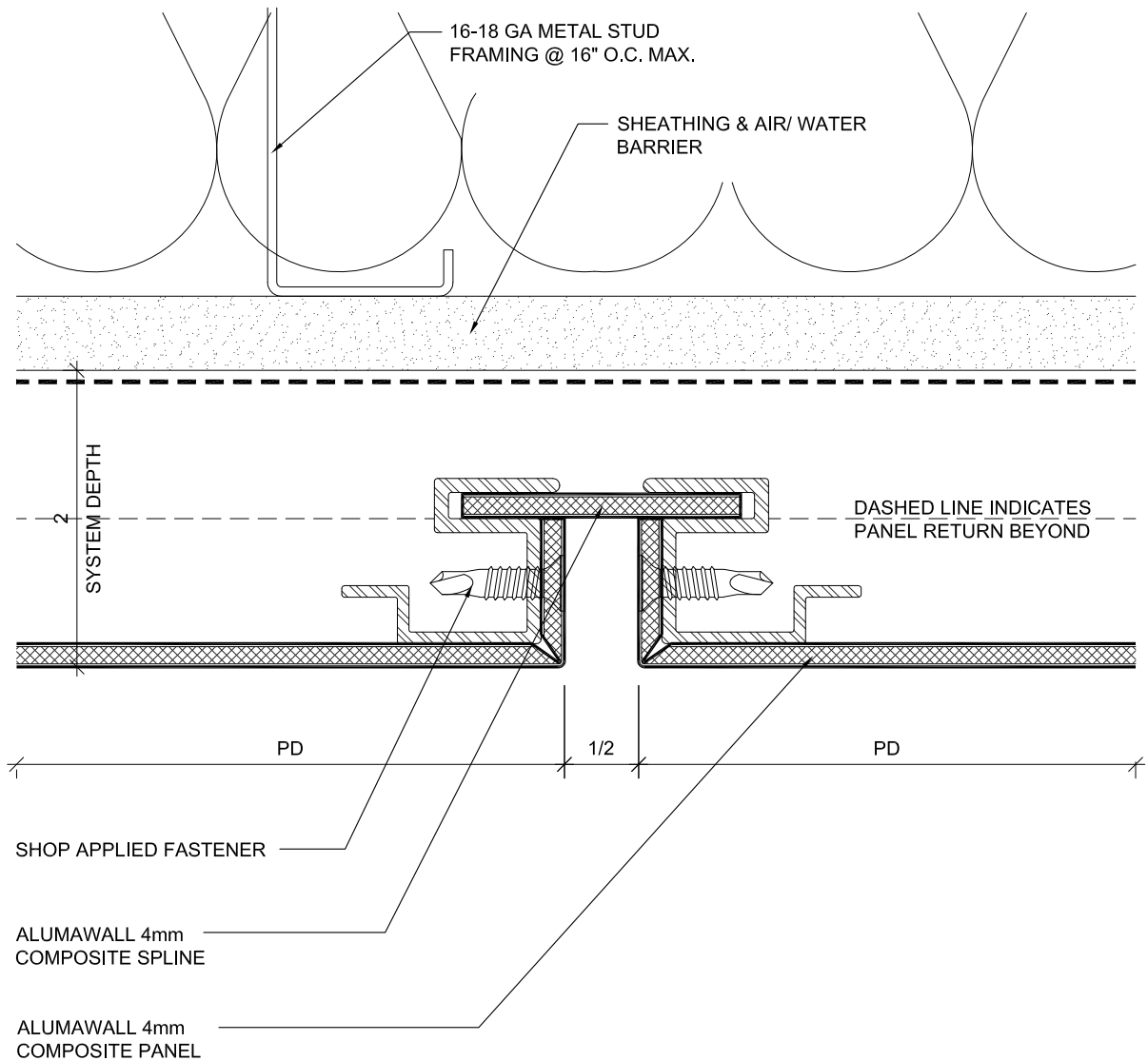
ISOMETRIC ELEVATION



ISOMETRIC REFLECTED CEILING PLAN

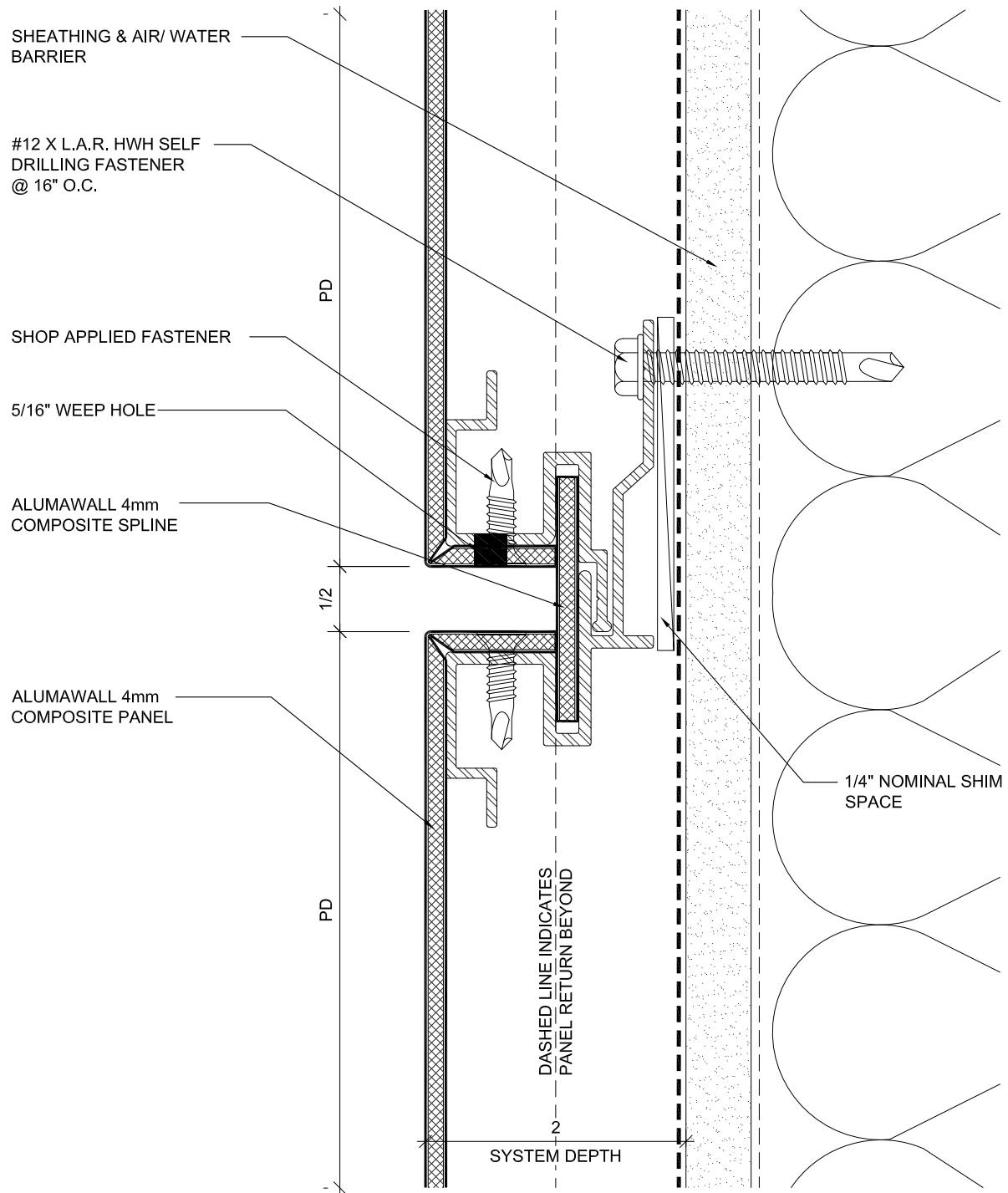
- |                                     |                      |
|-------------------------------------|----------------------|
| ① NON-FASTENING DETAIL              | ⑪ WINDOW HEAD DETAIL |
| ② FASTENING DETAIL                  | ⑫ WINDOW HEAD DETAIL |
| ③ INSIDE CORNER DETAIL              | ⑬ WINDOW SILL DETAIL |
| ④ FORMED CORNER DETAIL              | ⑭ WINDOW JAMB DETAIL |
| ⑤ FLUSH TERMINATION DETAIL          | ⑮ TERMINATION DETAIL |
| ⑥ CORNER TERMINATION DETAIL         | ⑯ COLUMN SECTION     |
| ⑦ BASE DETAIL                       |                      |
| ⑧ MCM PARAPET CAP DETAIL            |                      |
| ⑧A PARAPET CAP FLASHING DETAIL      |                      |
| ⑨ TYPICAL HORIZONTAL SURFACE DETAIL |                      |
| ⑩ SOFFIT RETURN DETAIL              |                      |

System 1800  
**ISOMETRIC VIEW**  
Standard Details 11/05/15



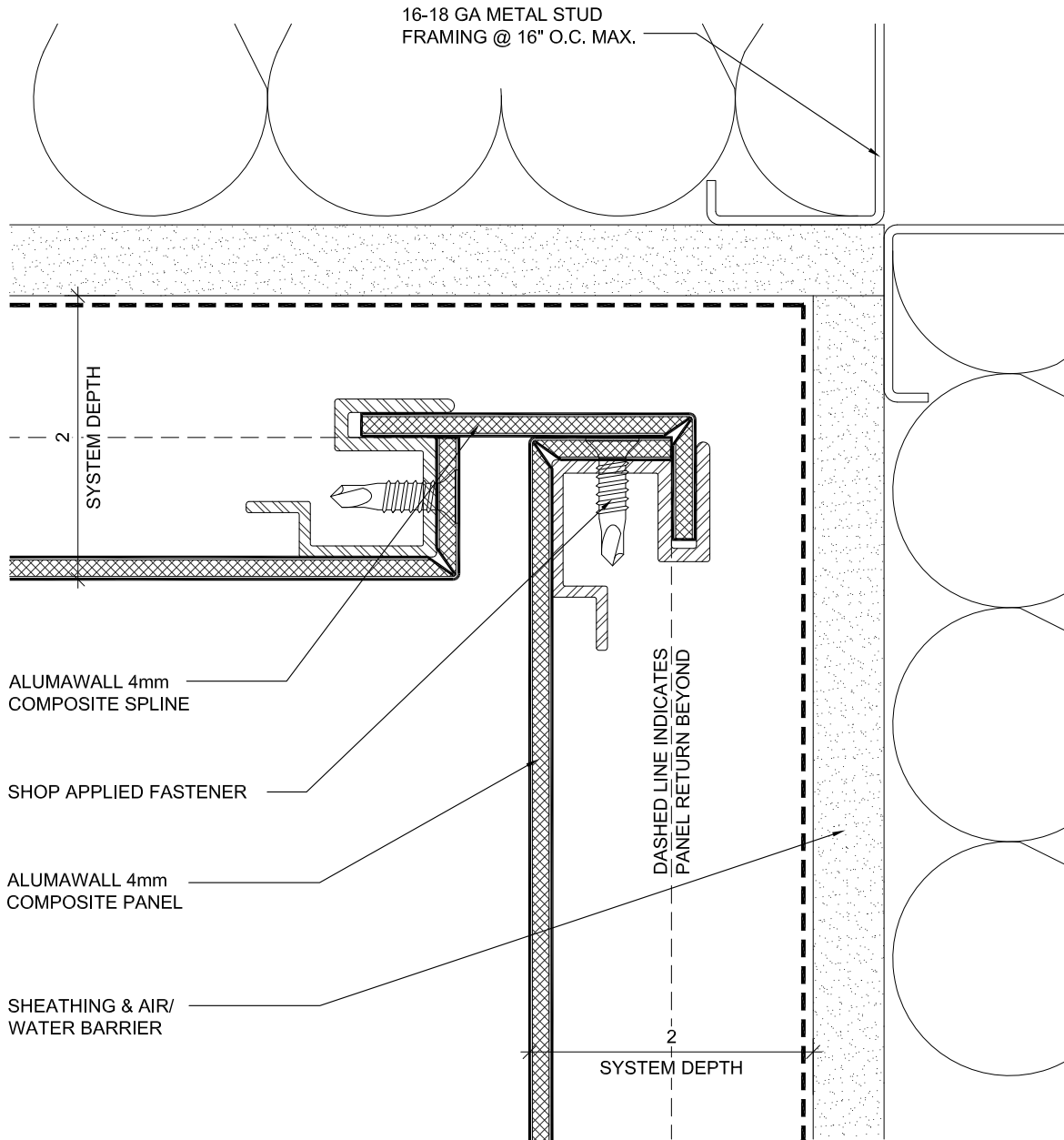
1

System 1800  
**TYPICAL NON-FASTENING DETAIL**  
Scale: Full



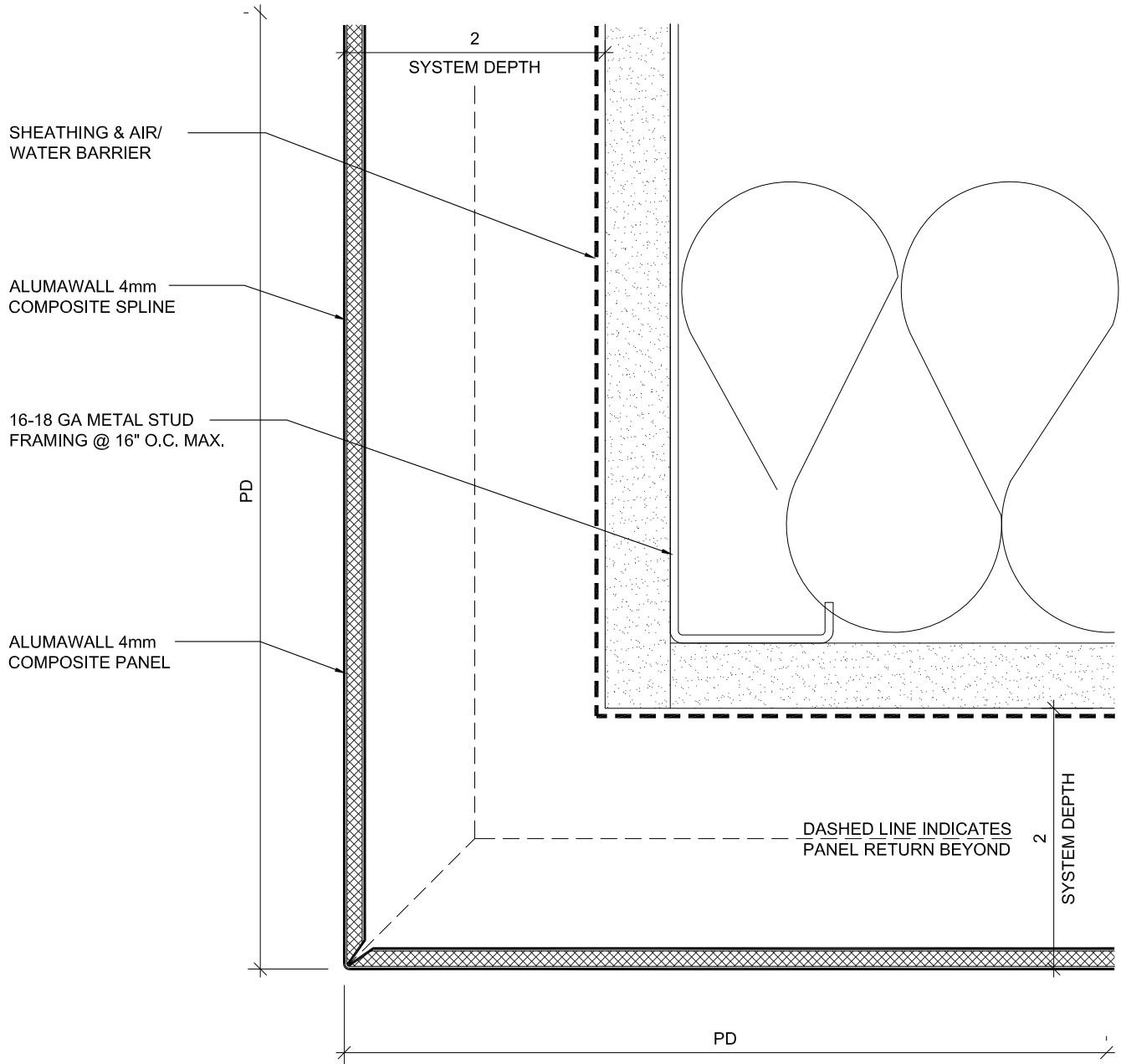
2

System 1800  
**TYPICAL FASTENING DETAIL**  
Scale: Full



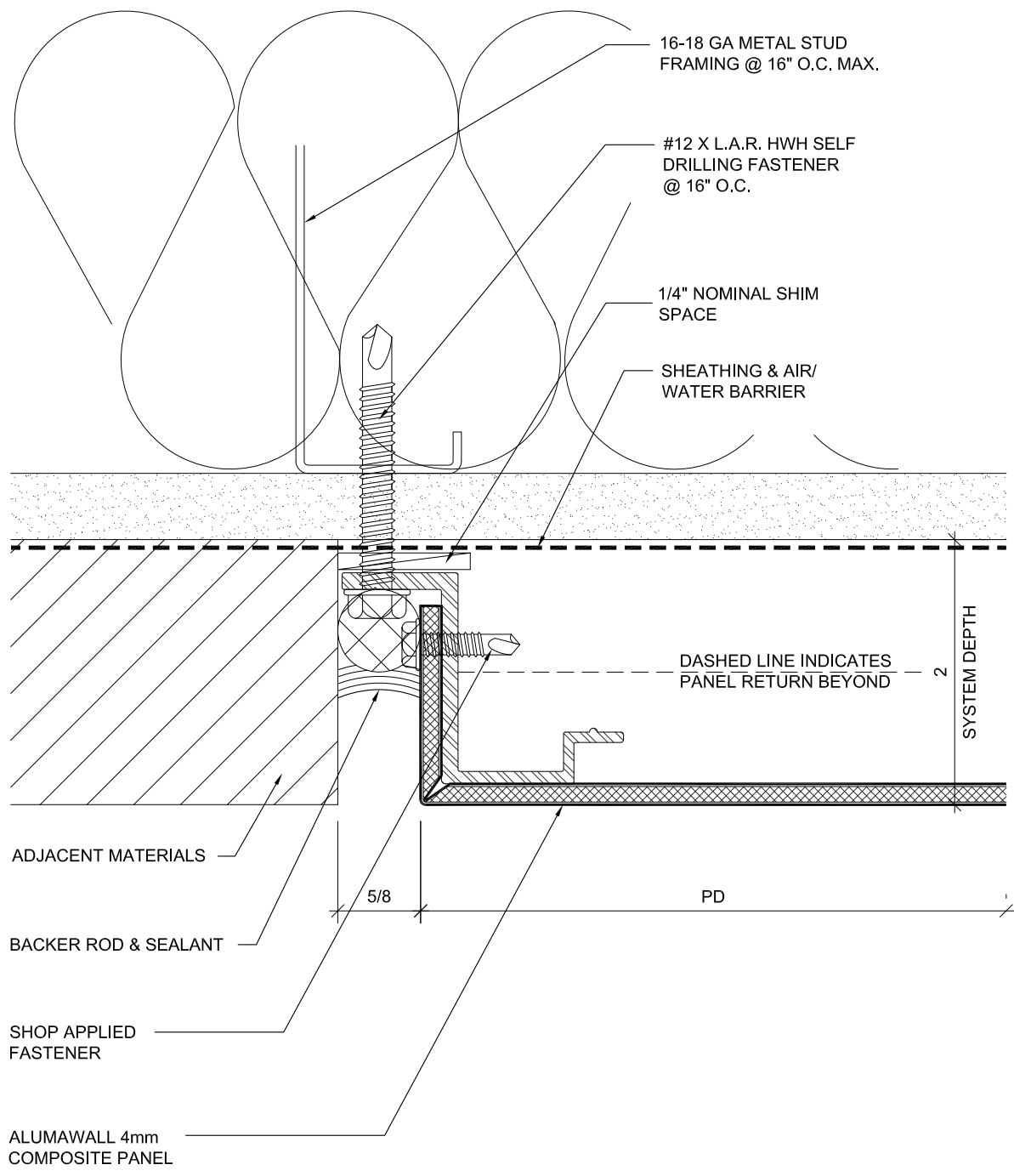
3

System 1800  
**INSIDE CORNER BYPASS DETAIL**  
Scale: Full

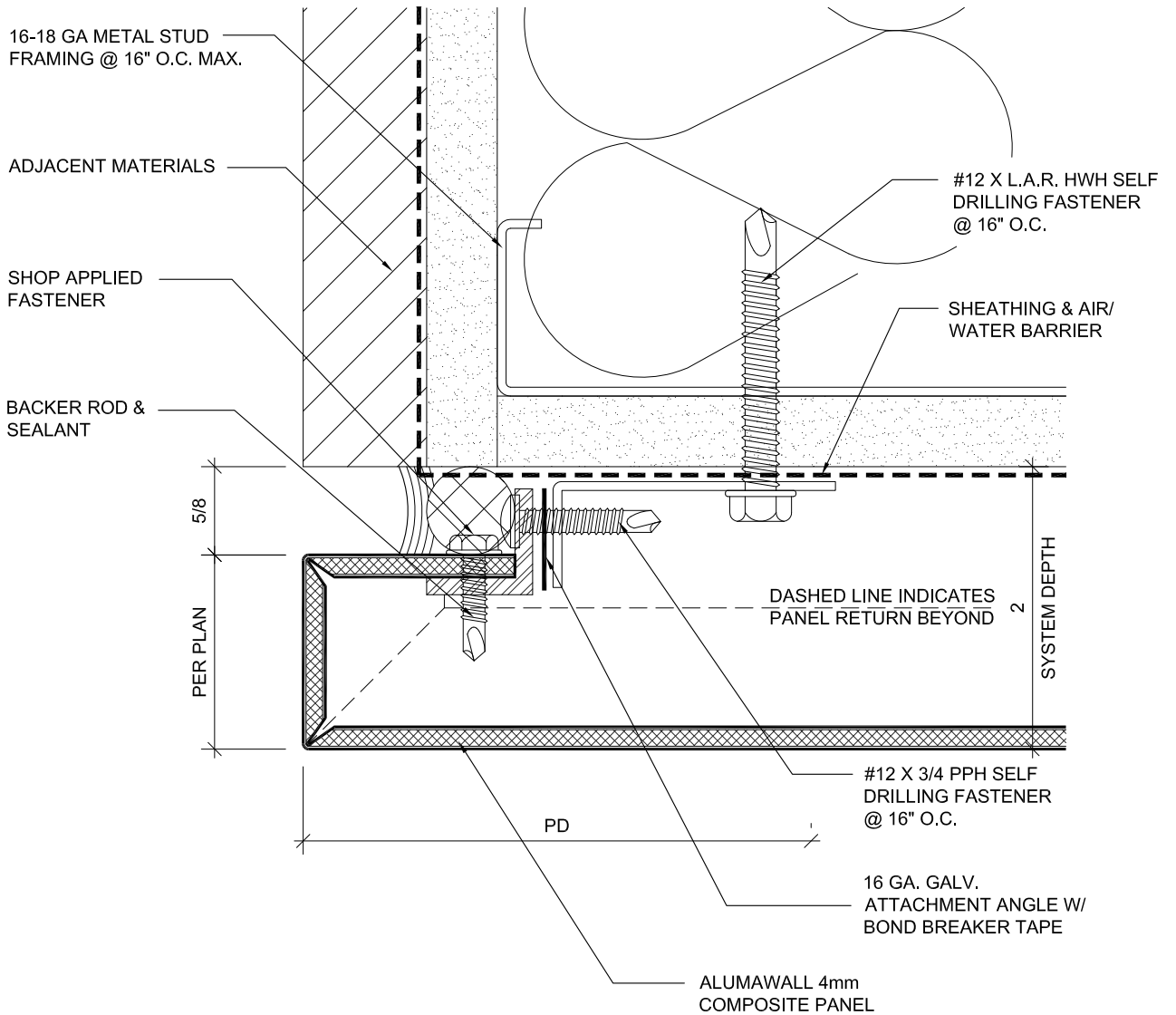


4

System 1800  
**FORMED CORNER PANEL RETURN DETAIL**  
Scale: Full

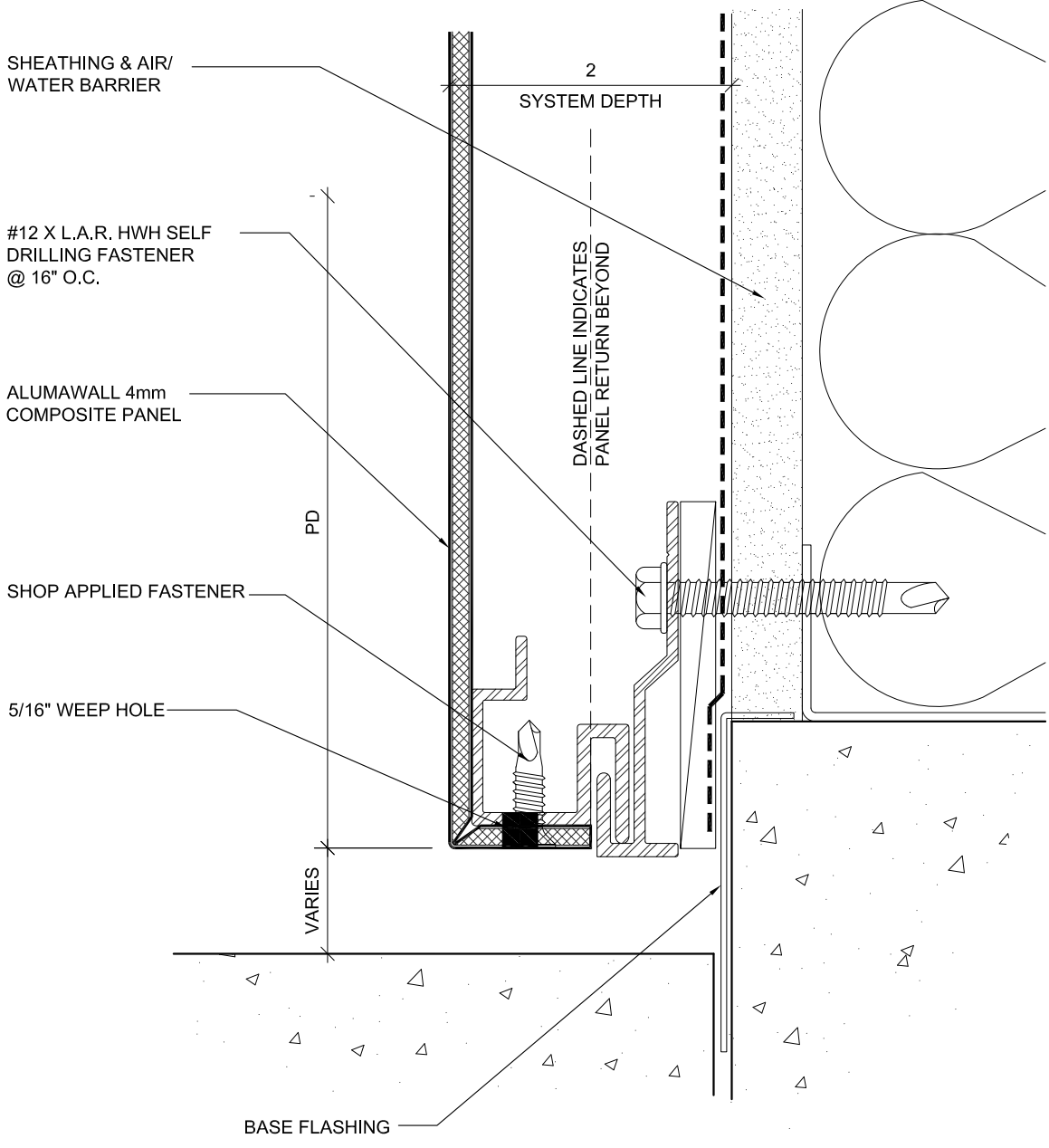


**5** System 1800  
**FLUSH TERMINATION DETAIL**  
Scale: Full



6

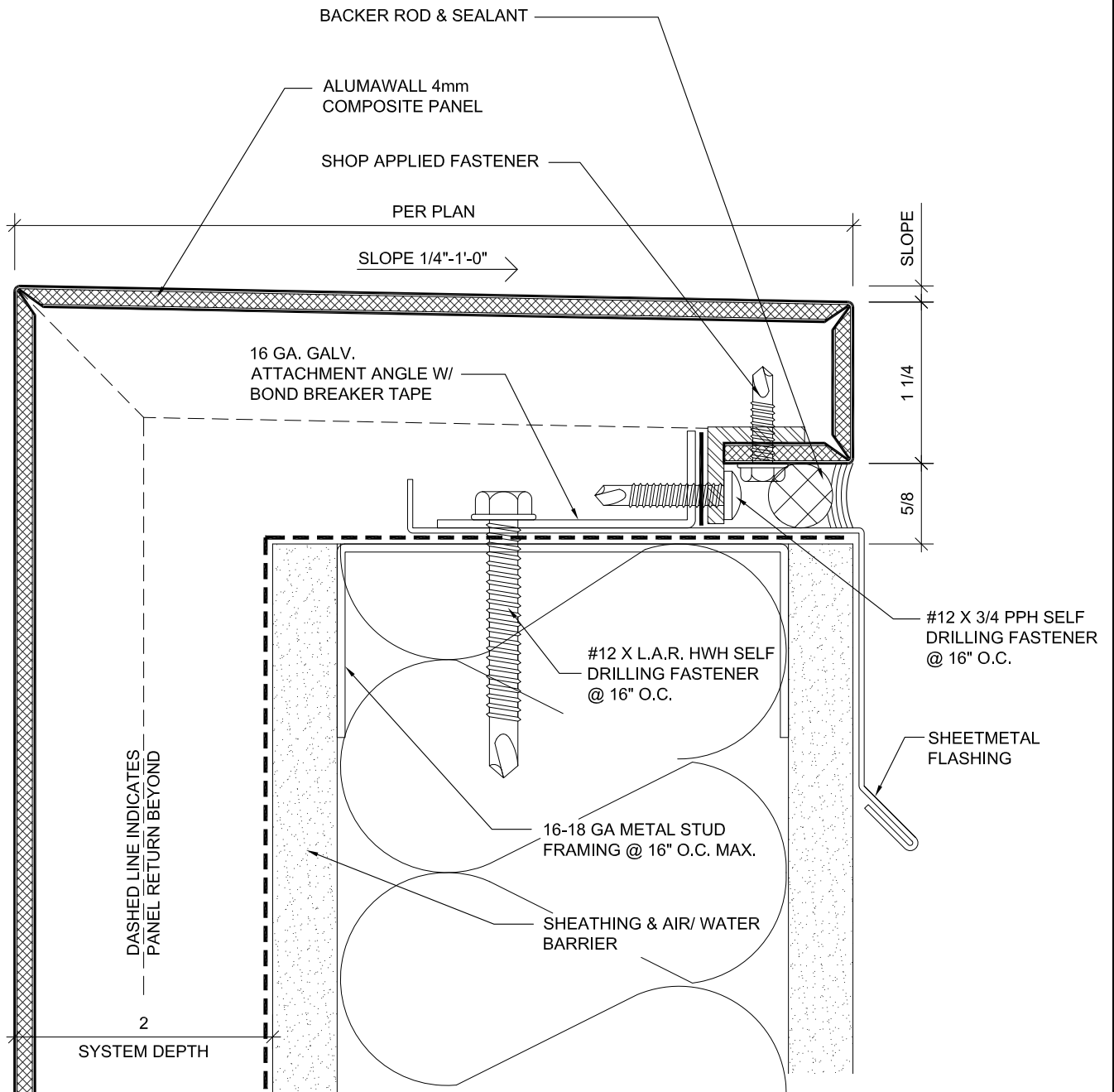
System 1800  
**CORNER TERMINATION DETAIL**  
Scale: Full



7

System 1800  
**BASE DETAIL**  
Scale: Full





8

System 1800  
**MCM PARAPET CAP DETAIL**  
Scale: Full

#12 X L.A.R. HWH SELF  
DRILLING FASTENER  
@ 16" O.C.

SHOP APPLIED FASTENER

SHEETMETAL  
FLASHING

ALUMAWALL 4mm  
COMPOSITE PANEL

16-18 GA METAL STUD  
FRAMING @ 16" O.C. MAX.

1/4" NOMINAL SHIM  
SPACE

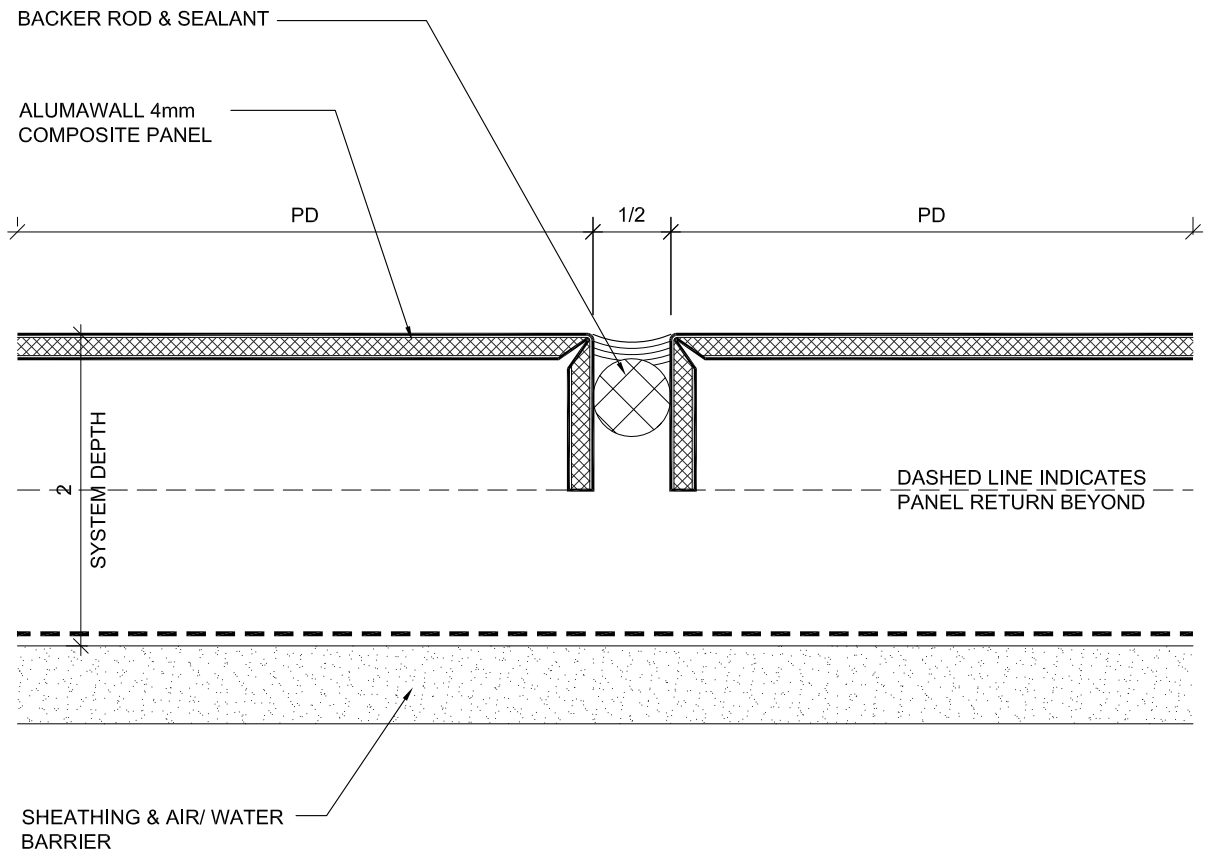
SHEATHING & AIR/ WATER  
BARRIER

DASHED LINE INDICATES  
PANEL RETURN BEYOND

SYSTEM DEPTH

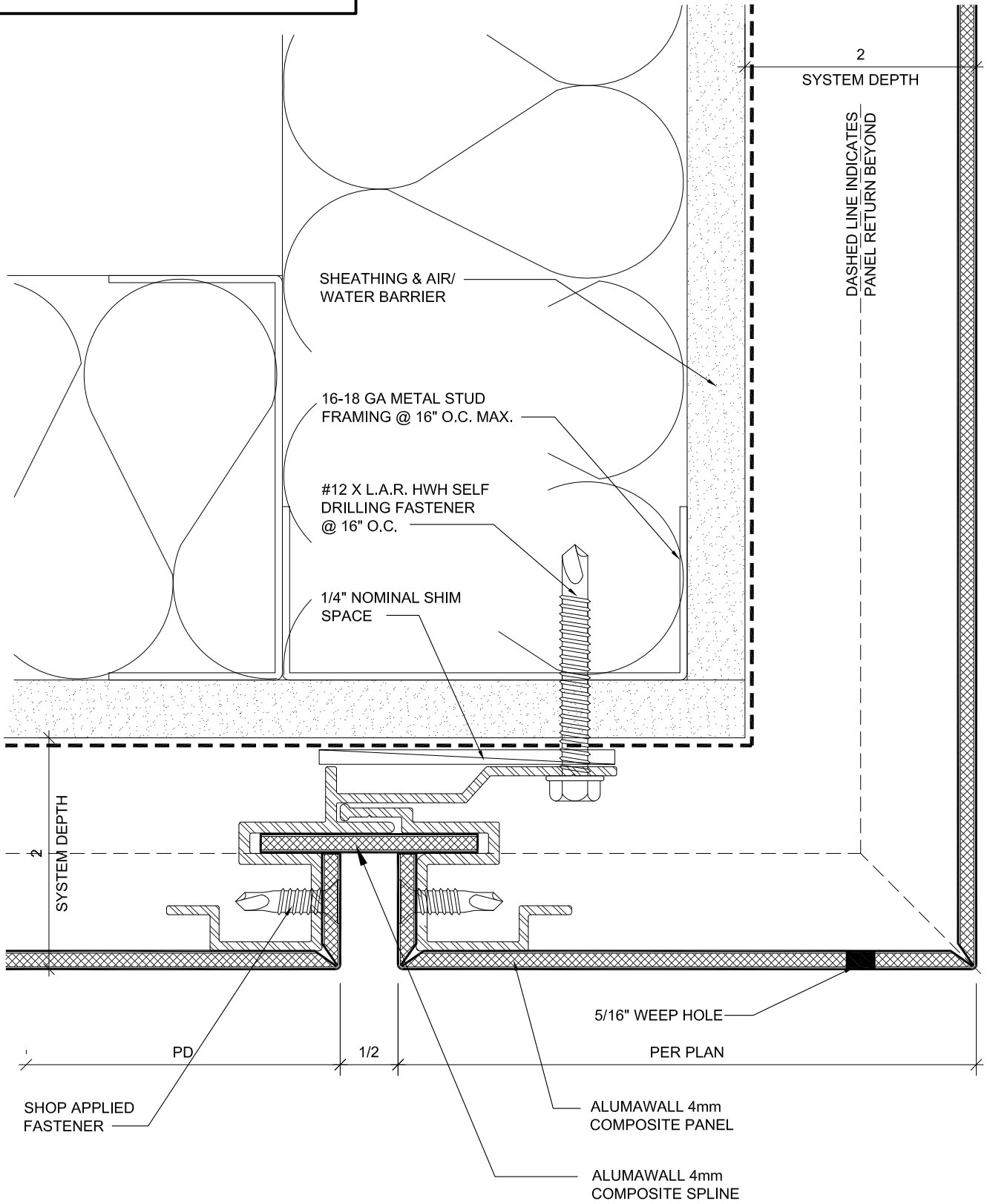
8A

System 1800  
PARAPET CAP FLASHING DETAIL  
Scale: Full



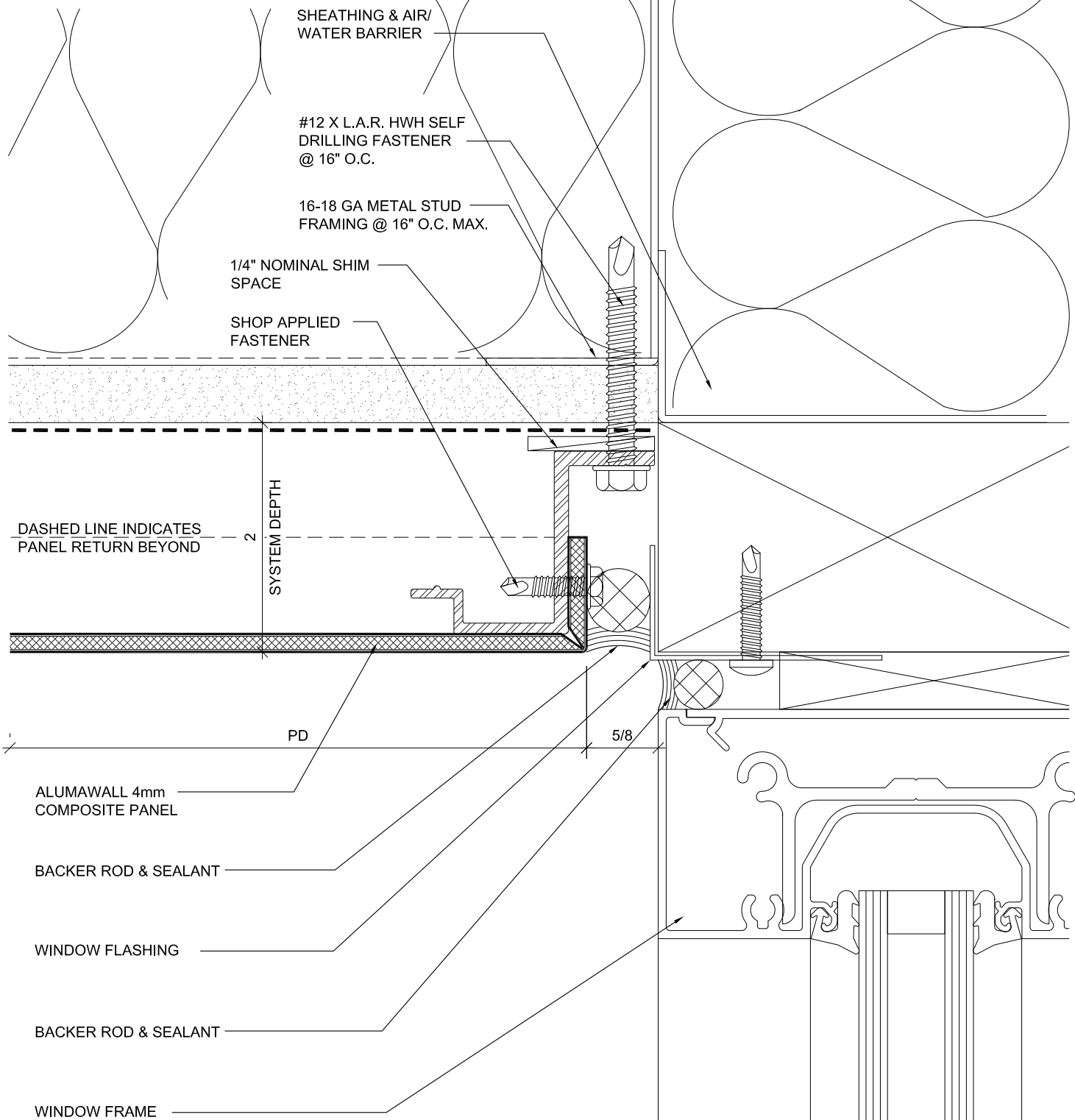
9

System 1800  
TYPICAL HORIZONTAL SURFACE DETAIL  
Scale: Full



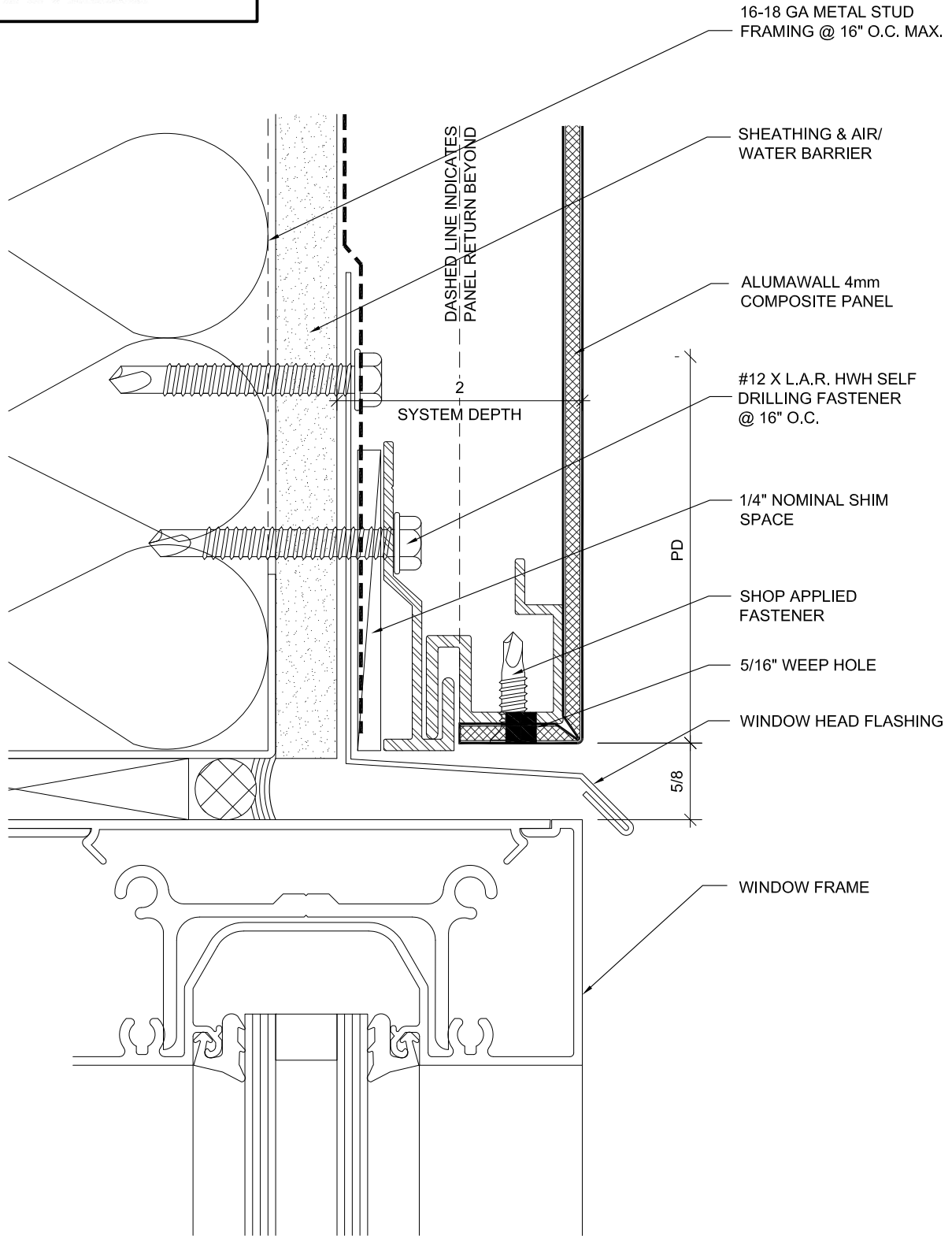
10

System 1800  
**SOFFIT RETURN DETAIL**  
Scale: Full

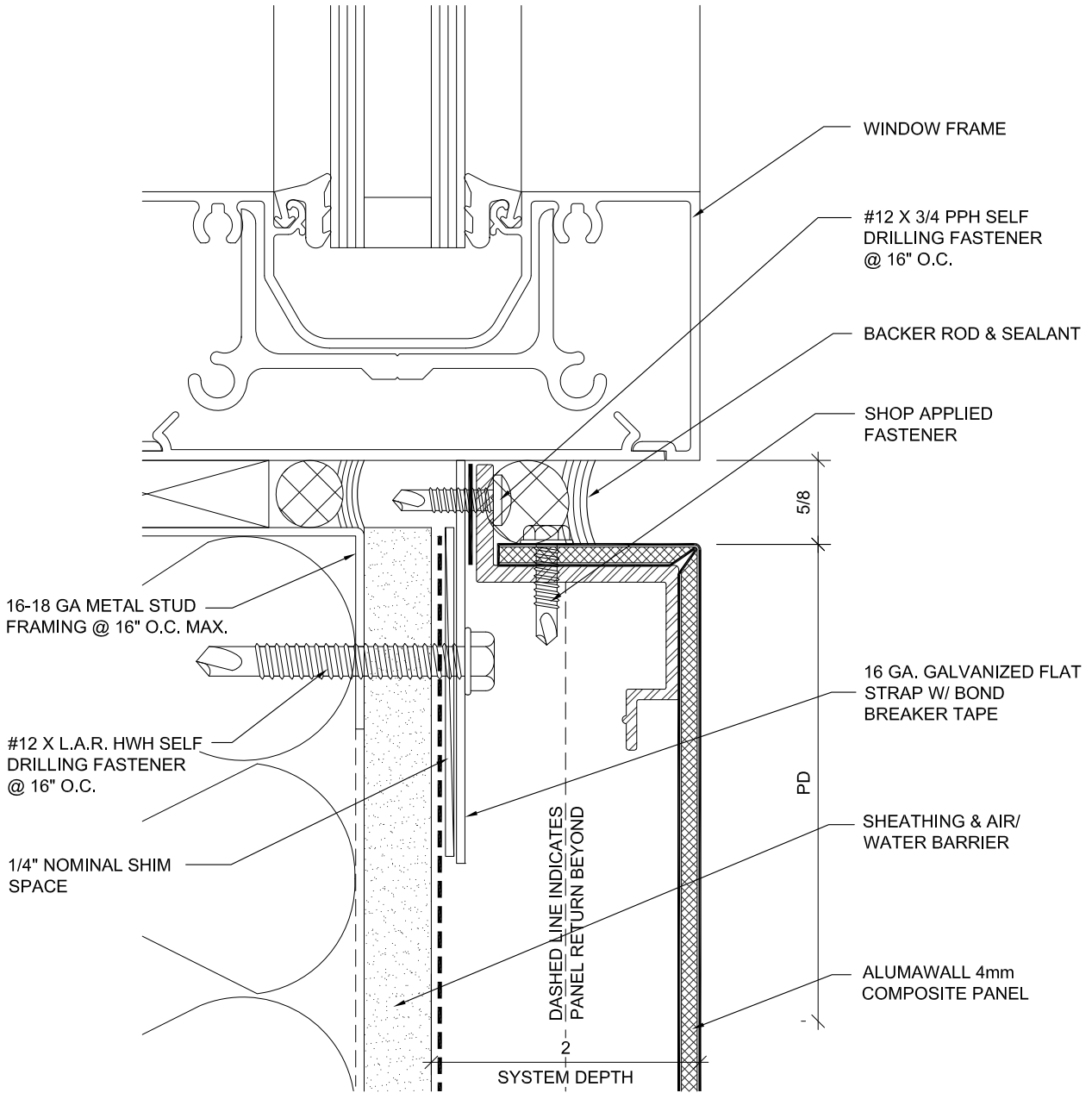


11

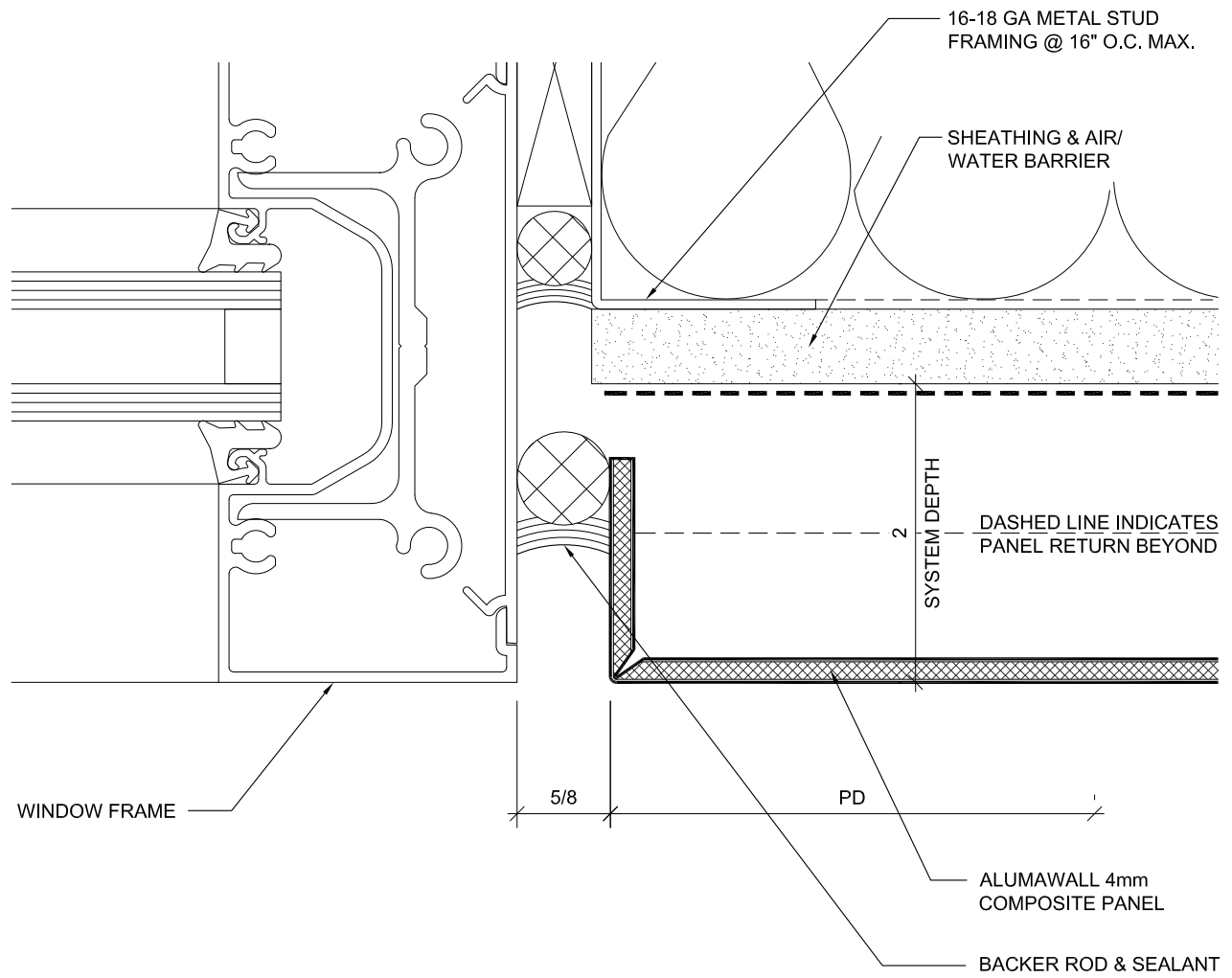
System 1800  
SOFFIT PANEL @ WINDOW HEAD  
Scale: Full



12 System 1800  
**WINDOW HEAD DETAIL**  
Scale: Full



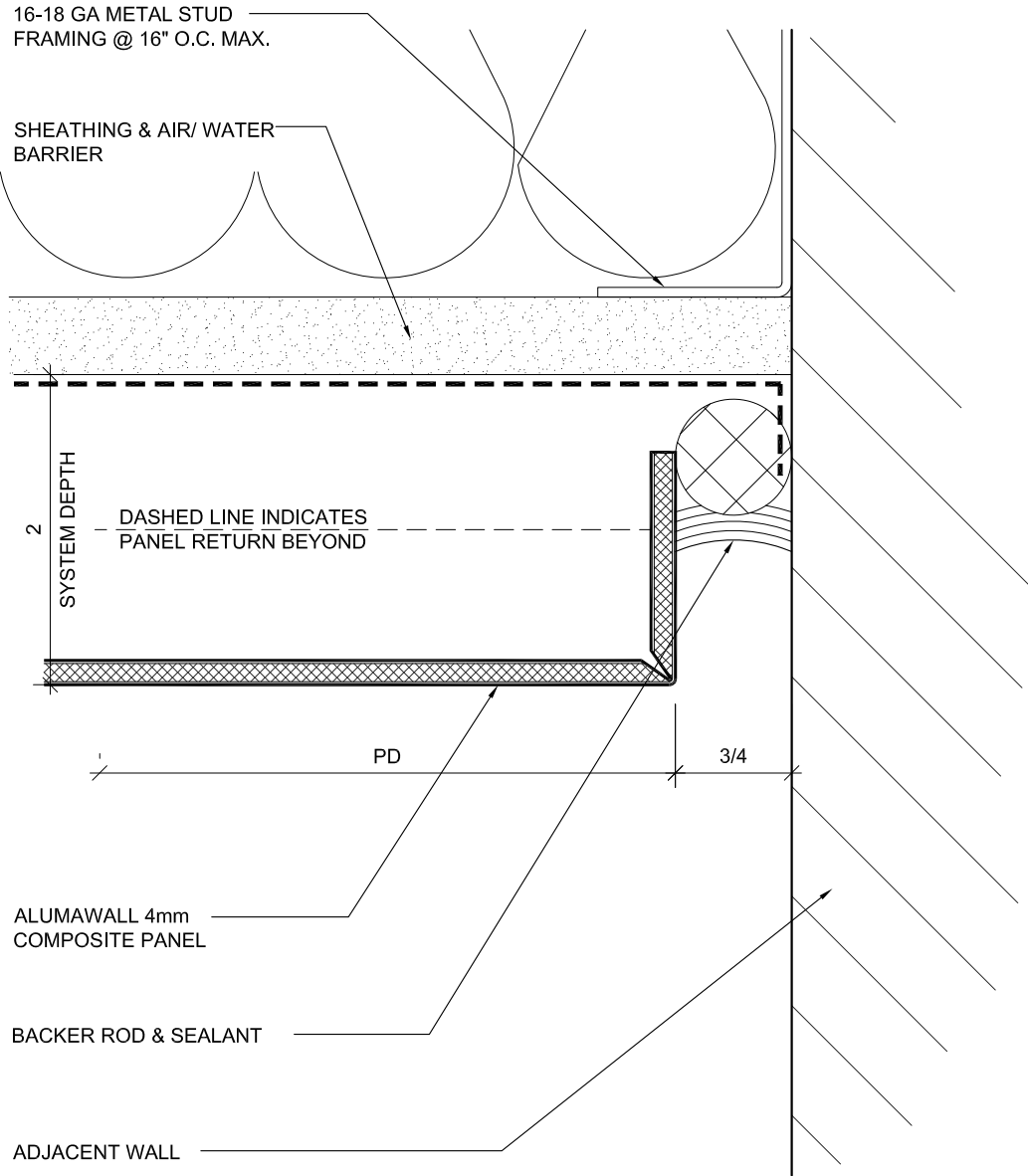
**13** System 1800  
**WINDOW SILL DETAIL**  
Scale: Full



14

System 1800  
**WINDOW JAMB DETAIL**  
Scale: Full





15

System 1800  
**TERMINATION DETAIL**  
Scale: Full

DASHED LINE INDICATES  
PANEL RETURN BEYOND

ALUMAWALL 4mm  
COMPOSITE PANEL

#12 X L.A.R. HWH SELF  
DRILLING FASTENER  
@ 16" O.C.

SHOP APPLIED  
FASTENER

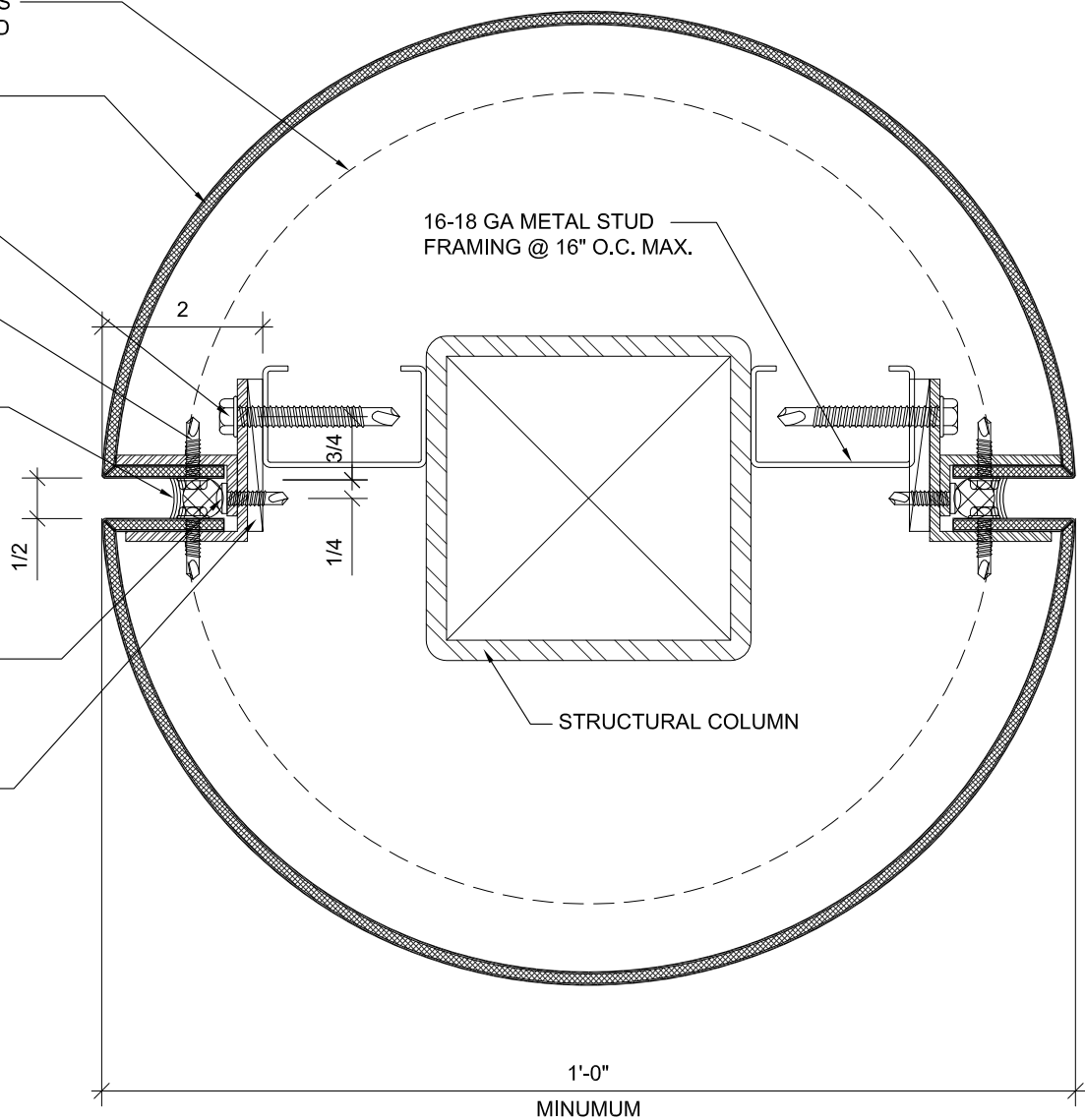
BACKER ROD &  
SEALANT

#12 X 3/4 PPH SELF  
DRILLING FASTENER  
@ 16" O.C.

1/4" NOMINAL SHIM  
SPACE

16-18 GA METAL STUD  
FRAMING @ 16" O.C. MAX.

STRUCTURAL COLUMN



16

System 1800  
**COLUMN SECTION**  
Scale: Full